

450 Series

ARTICULATING BOOM LIFTS

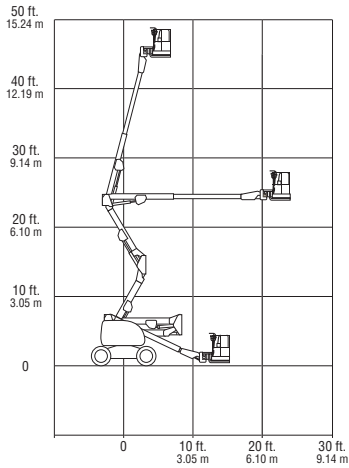


450A
450AJ

www.jlg.com

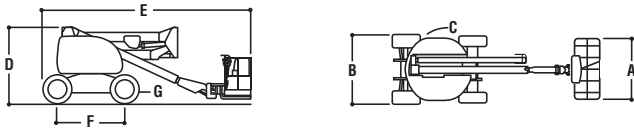
JLG®

JLG MODEL 450A



REACH SPECIFICATIONS

Platform Height	45 ft. (13.72 m)
Horizontal Outreach	23 ft. 9 in. (7.24 m)
Up and Over Height	24 ft. 3 in. (7.39 m)
Swing	360 Degrees Non-Continuous
Platform Capacity—Unrestricted	500 lbs. (230 kg)
Platform Rotator	180 Degrees Hydraulic



DIMENSIONAL DATA

A. Platform Size	30 in. x 72 in. (0.76 m x 1.83 m)
B. Overall Width	6 ft. 6 in. (1.98 m)
Overall Width (Optional Flotation Tires)	6 ft. 9 in. (2.06 m)
C. Tailswing (working condition)	Zero
D. Stowed Height	7 ft. 4 in. (2.24 m)
E. Stowed Length	20 ft. 2 in. (6.15 m)
F. Wheelbase	6 ft. 6 in. (1.98 m)
G. Ground Clearance	11 in. (28 cm)
Gross Vehicle Weight	15,600 lbs. (7,078 kg)
Max. Ground Bearing Pressure Standard Tire	46 psi (3.23 kg/cm ²)
Max. Ground Bearing Pressure Flotation Tire	35 psi (2.46 kg/cm ²)

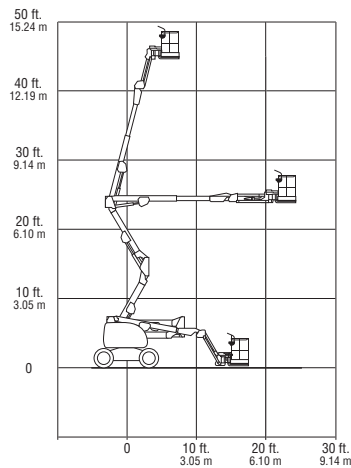
CHASSIS

Drive Speed 2WD	4.5 MPH (7.2 kph)
Drive Speed 4WD/2WD	2.25/4.5 MPH (3.6/7.2 kph)
Gradeability 2WD	30%
Gradeability 4WD	40%
Tires	12 x 16.5 Lug Tread
Axle Oscillation	8 in. (20.4 cm)
Turning Radius, (Inside/Outside)	5 ft. 8 in./14 ft. (1.73 m/4.27 m)

POWER SOURCE

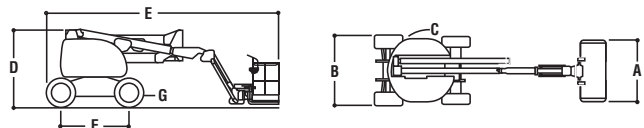
Dual Fuel Engine, Ford LRG-425	70 hp (52 kW)
Diesel Engine, Deutz F3M1011	47 hp (35 kW)
Diesel Engine, Isuzu 4LE1	47 hp (35 kW)
Fuel Tank Capacity	16.5 gal. (62.5 L)
Hydraulic Reservoir	30 gal. (113.6 L)
Auxiliary Power	12V DC

JLG MODEL 450AJ



REACH SPECIFICATIONS

Platform Height	45 ft. (13.72 m)
Horizontal Outreach	24 ft. 6 in. (7.47 m)
Up and Over Height	24 ft. 1 in. (7.34 m)
Swing	360 Degrees Non-Continuous
Platform Capacity—Unrestricted	500 lbs. (230 kg)
Platform Rotator	180 Degrees Hydraulic
Jib	4 ft. 6 in. (1.37 m), 135 degrees (+70, -65)



DIMENSIONAL DATA

A. Platform Size	30 in. x 72 in. (0.76 m x 1.83 m)
B. Overall Width	6 ft. 6 in. (1.98 m)
Overall Width (Optional Flotation Tires)	6 ft. 9 in. (2.06 m)
C. Tailswing (working condition)	Zero
D. Stowed Height	7 ft. 4 in. (2.24 m)
E. Stowed Length	22 ft. (6.71 m)
F. Wheelbase	6 ft. 6 in. (1.98 m)
G. Ground Clearance	11 in. (28 cm)
Gross Vehicle Weight	16,100 lbs. (7,305 kg)
Max. Ground Bearing Pressure Standard Tire	48 psi (3.37 kg/cm ²)
Max. Ground Bearing Pressure Flotation Tire	36 psi (2.53 kg/cm ²)

CHASSIS

Drive Speed 2WD	4.5 MPH (7.2 kph)
Drive Speed 4WD/2WD	2.25/4.5 MPH (3.6/7.2 kph)
Gradeability 2WD	30%
Gradeability 4WD	40%
Tires	12 x 16.5 Lug Tread
Axle Oscillation	8 in. (20.4 cm)
Turning Radius, (Inside/Outside)	5 ft. 8 in./14 ft. (1.73 m/4.27 m)

POWER SOURCE

Dual Fuel Engine, Ford LRG-425	70 hp (52 kW)
Diesel Engine, Deutz F3M1011	47 hp (35 kW)
Diesel Engine, Isuzu 4LE1	47 hp (35 kW)
Fuel Tank Capacity	16.5 gal. (62.5 L)
Hydraulic Reservoir	30 gal. (113.6 L)
Auxiliary Power	12V DC

The JLG "2 & 5" Warranty for Models 450A and 450AJ

JLG Industries, Inc. backs our 450 Series Boom Lifts with our exclusive "2 & 5" Warranty. We provide coverage for two (2) full years, and cover all specified major structural components for five (5) years. Due to continuous product improvements, we reserve the right to make specification and/or equipment changes without prior notification. This machine meets or exceeds applicable OSHA Regulations in 29 CFR 1910.67, 29 CFR 1926.453, ANSI A92.5-1992, and CSA standard CAN3-B354.4-M82 as originally manufactured for intended applications.

Printed in USA
FORM NO.: SS-450-298-10M-1
PART NO.: 3131107
R09012

JLG Industries, Inc.

1 JLG Drive, McConnellsburg, PA 17233-9533
Telephone 717-485-5161
Toll-free in US 877-JLG-LIFT
Fax 717-485-6417
www.jlg.com

